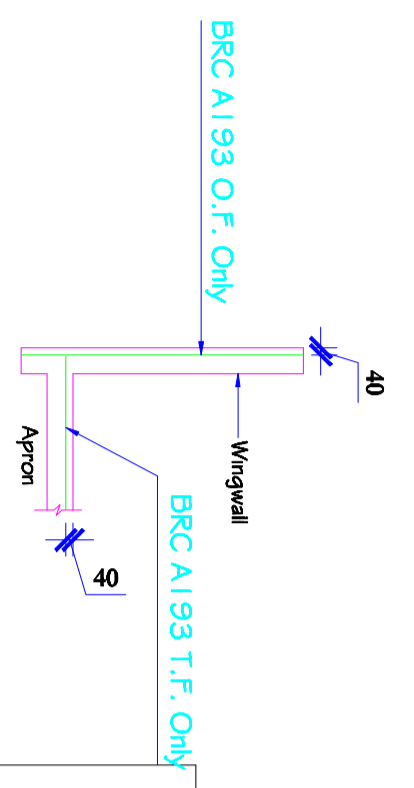
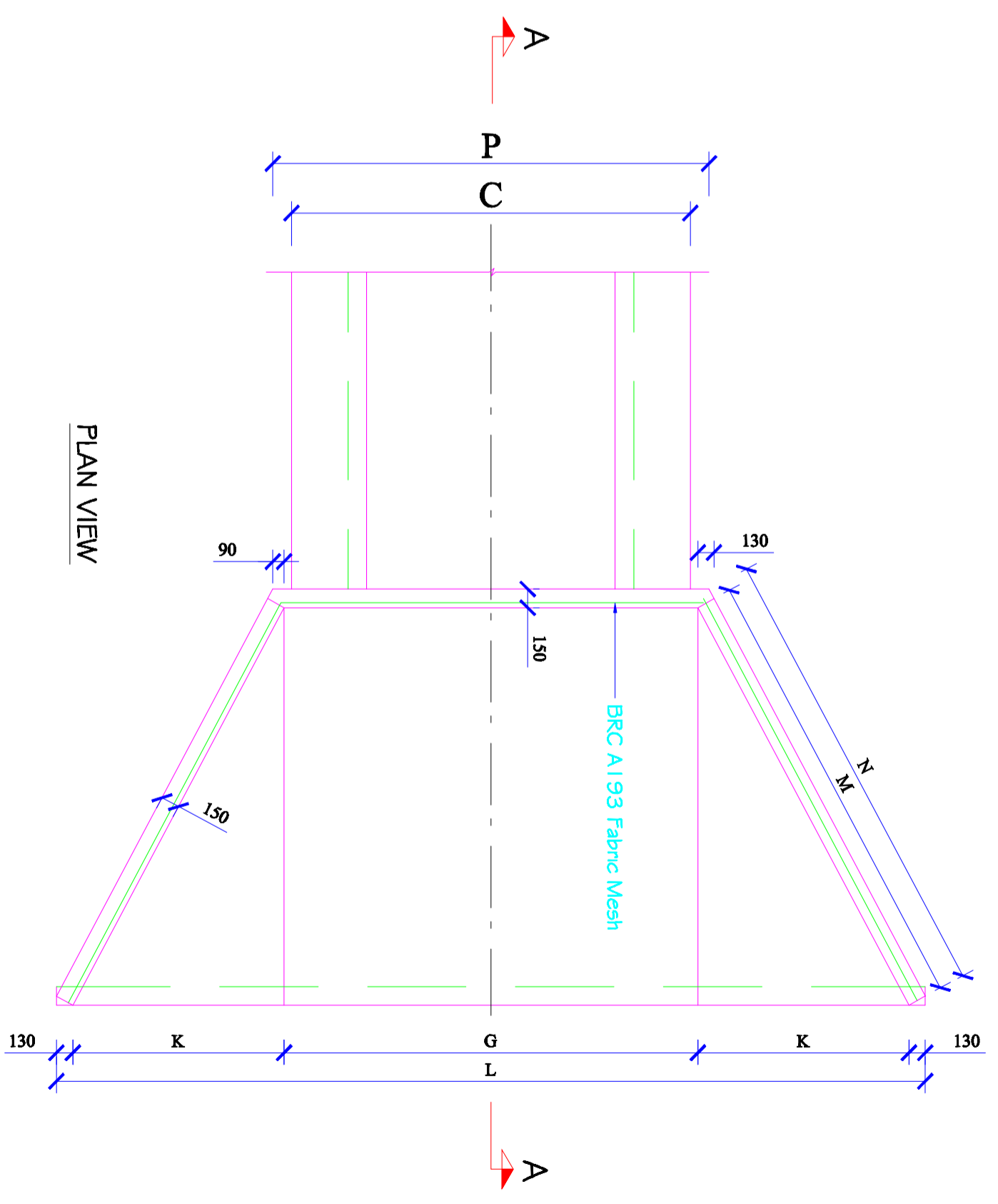


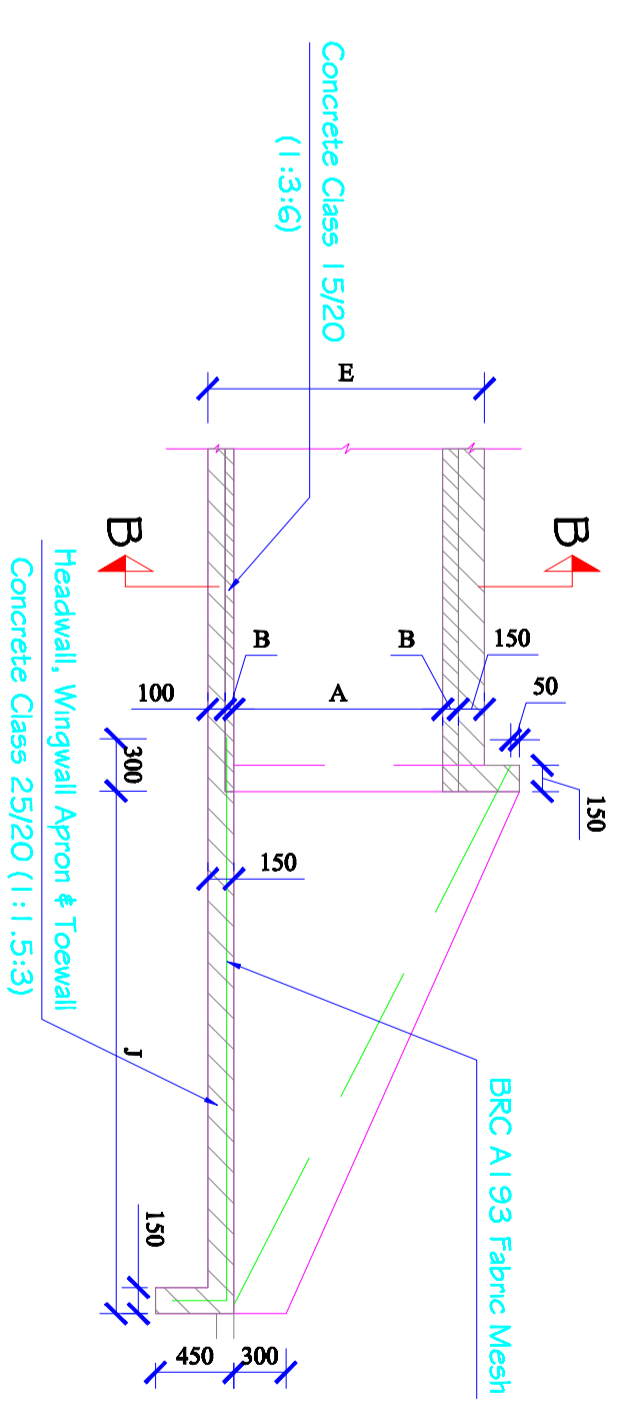
SECTION B - B
TYPE 2 - 2No./900MM Ø



SECTION C - C



PLAN VIEW



SECTION A - A

CULVERT	SECTION A - A													CONCRETE CLASS 25/20 INLET AND OUTLET.	CONCRETE CLASS 15/20 SURROUNDING & BEAM PER RUNNING METRE.	A193 FABRIC MESH REIN-FORCEMENT m ²	
	A	B	C	D	E	F	G	H	J	K	L	M	N				P
TYPE 2	2x0.90	0.07	1.53	1.03	1.29	0.94	2.69	1.25	2.3	1.3	5.55	2.64	2.73	2.87	5.20	1.50	36.38

APPROVED	NAME	DATE	SIGN
CHECKED	DAMWANKI		
ENGINEER I/C			
CHECKED	B. Gathio		
HEAD			
DRAWN			
CHECKED			
HSURVEYOR			
DRAWN	DAMWANKI	27th Oct, 2008	Kohore
SUPERVED			
TRACED			

REF	REVISION	DATE	SIGN	CHECKED	DATE

KISUMU EAST CIVIL WORKS DETAILS

DETAILS OF A DRAINAGE CULVERT (2No.) - [2/900mm Ø]